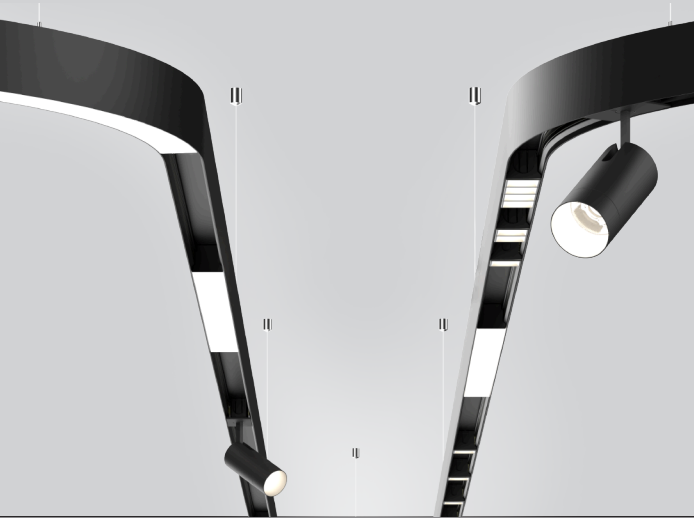


# R-LINE<sup>®</sup>

## TRACK WITH UPLIGHT



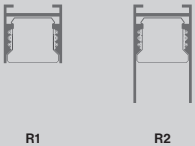
### CERTIFICATIONS & COMPLIANCE



### FEATURES

**5 YEAR**  
limited  
led warranty

### CHANNEL



### PERFORMANCE

- Modular 48V track system
- Combine linear, curve, and track
- Patented technology for curved track

### CONFIGURATIONS



### MOUNTING



Indirect  
Suspended

### INSET OPTIONS



### Catalog Number Example

RLTR-R1-PDT-BLBL-27K-C90-BW-48V-010V-2C-700LF-8WF-LS-M90-02

A B C D E F G H I J K

### A PRODUCT

R1 Track 1" track R L T R-R 1  
R2 Track 2" track R L T R-R 2

### B MOUNTING

Pendant Cable P D T  
Pendant Stem *coming soon* S T M  
Custom Mount X X X  
custom mount, please contact BASO

### C HOUSING COLOR

Black RAL9005 B L \_ \_  
White RAL9016 W H \_ \_  
Custom RAL X X \_ \_  
custom RAL, please contact BASO

### PENDANT HARDWARE COLOR

*sub option*

Black \_ \_ B L  
White \_ \_ W H  
power feed, stem & canopy cover only; AC cable & barrel mount come in silver

### D UPLIGHT CCT/CRI

2700K / CRI >90 2 7 K - C 9 0  
3000K / CRI >90 3 0 K - C 9 0  
3500K / CRI >90 3 5 K - C 9 0  
4000K / CRI >90 4 0 K - C 9 0

### E UPLIGHT LENS

Opal O P  
Batwing B W

### VOLTAGE

48V low constant voltage 4 8 V  
remote driver required (see driver cutsheet)

### F DIMMING

0-10V 1% dimming 0 1 0 V

### G CIRCUIT

2 Circuit (1) circuit track, (1) circuit uplight 2 C  
3 Circuit (2) circuit track, (1) circuit uplight 3 C  
uplight is always on separate circuits

### H UPLIGHT OUTPUT

350 lm/ft. 4w/ft. 3 5 0 L F - 4 W F  
700 lm/ft. 8w/ft. 7 0 0 L F - 8 W F

### I SHAPE/PATTERN

Linear S T  
L-Shape (90°) L S  
□-Shape rectangular shape (90°) R S  
U-Shape (90°) U S  
Z-Shape (90°) Z S  
Custom Pattern C P  
custom angles and patterns, please contact BASO

### J CORNERS

No Corners \*  
Mitered 90° M 9 0  
Curved Radius 18"/90° R 1 8  
Curved Radius 24"/90° R 2 4  
Curved Radius 36"/90° R 3 6  
custom radius and angles, please contact BASO  
\*leave empty

### K DIMENSIONS *1" increments only*

2' 0" min. length 0 2  
4' 0" 0 4  
6' 0" 0 6  
8' 0" 0 8  
Shape / Pattern x x  
Custom x x  
custom pattern, please contact BASO

### Optional Accessories

*ships seperately*

### L BLIND COVERS

Blind Cover 1" flush with R1 track B 1  
Blind Cover 2" *coming soon* B 2  
includes field cuttable blind cover (end to end)

### Other Options

### + TRACK WITHOUT UPLIGHT

see R-Line Track cutsheet

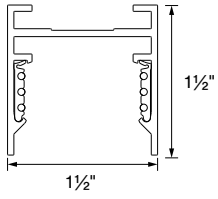
**BASO**  
basolighting.com

CS-V01

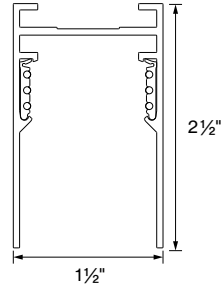
01/2025

## DIMENSIONS

R1

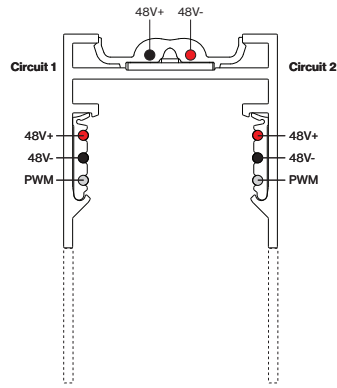


R2

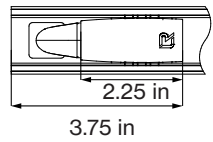


## POWER TRACK CIRCUITRY

R1/R2

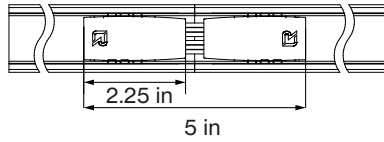


## POWER FEED



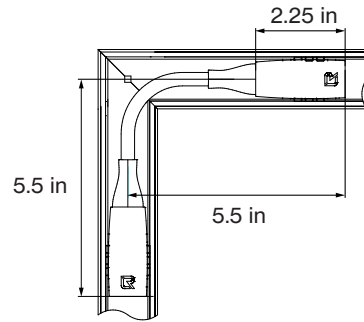
Insets cannot be placed on top of power feeds and electrical connectors.

## ELECTRICAL CONNECTOR



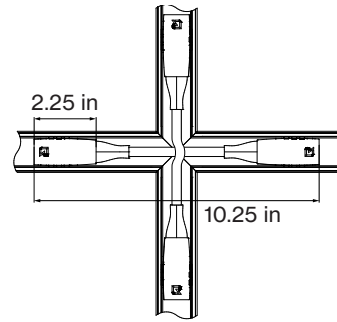
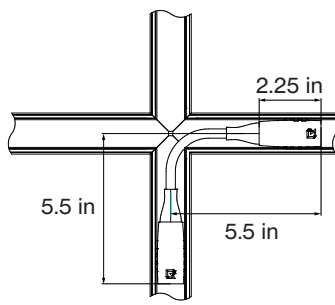
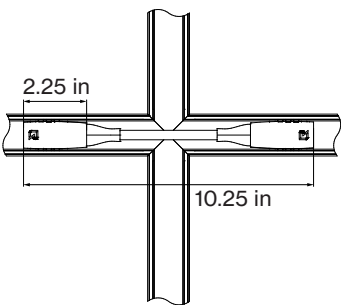
## ELECTRICAL CONNECTOR

L-Configuration



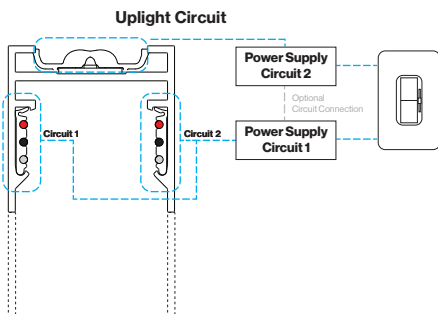
## ELECTRICAL CONNECTOR

X-Configuration

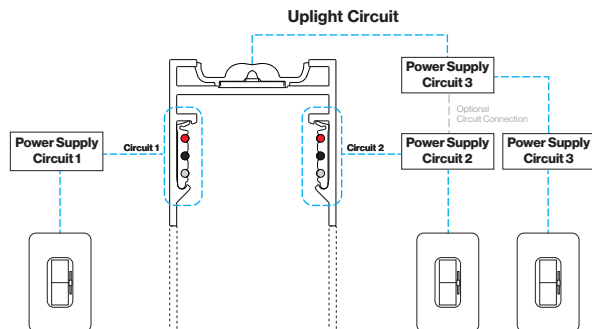


## CIRCUIT DIAGRAM

Single Circuit with Uplight  
(With options to control together)

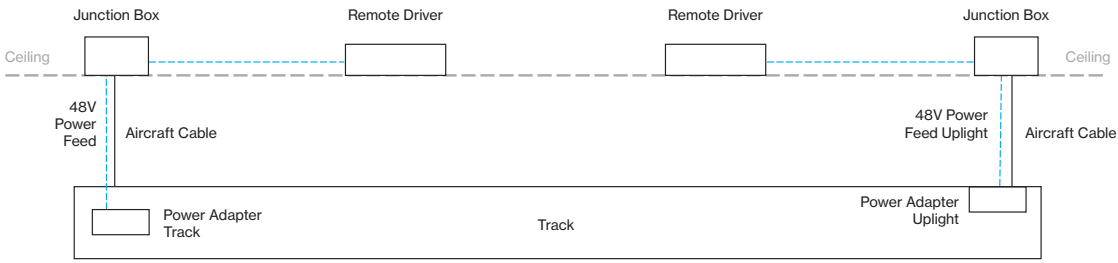


Two Circuit w/ Uplight



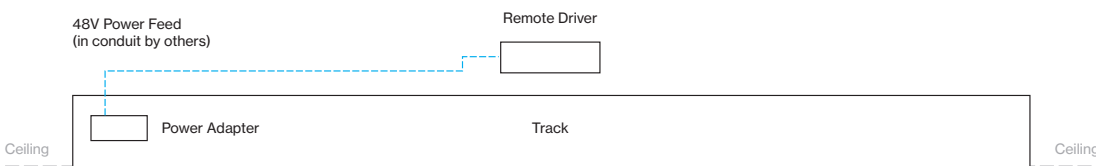
# SYSTEM COMPONENTS (SIDE VIEW)

## R1/R2 PDT W/ UPLIGHT

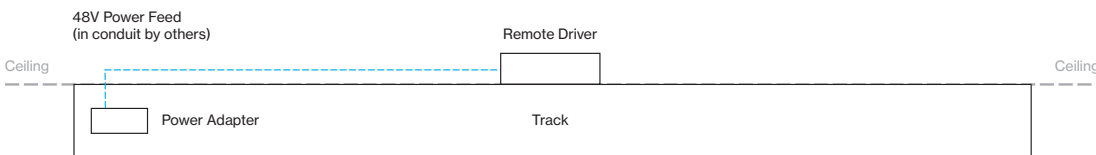


## TRACK DIAGRAM (SIDE VIEW)

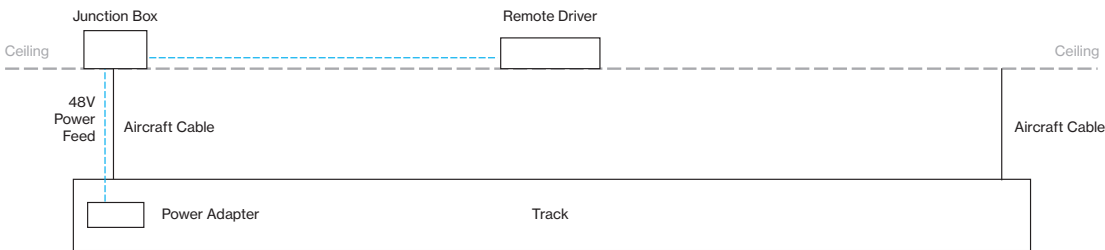
### R1/R2 RTL



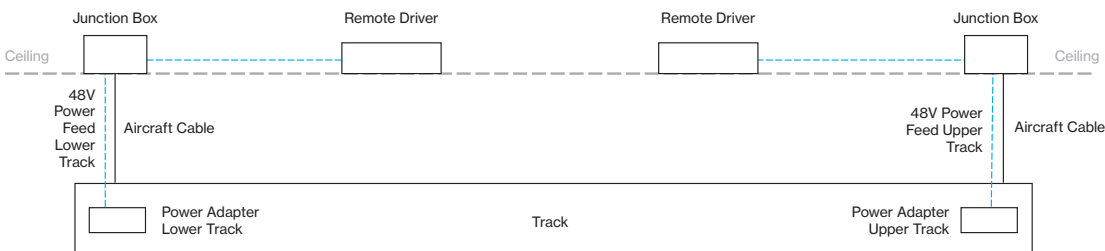
### R1/R2 SUR



### R1/R2 PDT



### R3 PDT



**Declare.**  
R-LINE TRACK  
BASO INC.  
Prod Assembly Oxford, Connecticut, USA  
Life Expectancy 20+ Years  
Listed in the GreenSource (2024) LowVOC (2024)

**Ingredients**  
Aluminum, Steel, Electrical Components, Steel Reinforcement, Chemicals, Copper, Plastic, Polymers, and other materials.  
R-Value (R1/R2) 1.0, R-Value (R3) 1.0, R-Value (R4) 1.0, R-Value (R5) 1.0  
Color: R1/R2 (White) / R3 (White) / R4 (White) / R5 (White)  
Customize: Contact Us

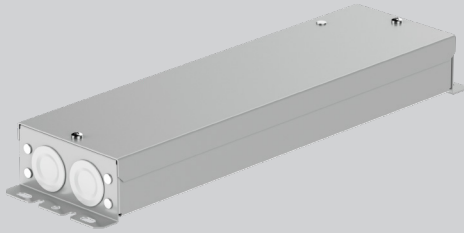
**ULC Temp. Exception RC-000 - Small Electrical Components**

**Limiting Building Challenge Credits**  
ULC 001 - Yes  
ULC 002 - No  
ULC 003 - No  
ULC 004 - No  
ULC 005 - No  
ULC 006 - No  
ULC 007 - No  
ULC 008 - No  
ULC 009 - No  
ULC 010 - No  
ULC 011 - No  
ULC 012 - No  
ULC 013 - No  
ULC 014 - No  
ULC 015 - No  
ULC 016 - No  
ULC 017 - No  
ULC 018 - No  
ULC 019 - No  
ULC 020 - No  
ULC 021 - No  
ULC 022 - No  
ULC 023 - No  
ULC 024 - No  
ULC 025 - No  
ULC 026 - No  
ULC 027 - No  
ULC 028 - No  
ULC 029 - No  
ULC 030 - No  
ULC 031 - No  
ULC 032 - No  
ULC 033 - No  
ULC 034 - No  
ULC 035 - No  
ULC 036 - No  
ULC 037 - No  
ULC 038 - No  
ULC 039 - No  
ULC 040 - No  
ULC 041 - No  
ULC 042 - No  
ULC 043 - No  
ULC 044 - No  
ULC 045 - No  
ULC 046 - No  
ULC 047 - No  
ULC 048 - No  
ULC 049 - No  
ULC 050 - No  
ULC 051 - No  
ULC 052 - No  
ULC 053 - No  
ULC 054 - No  
ULC 055 - No  
ULC 056 - No  
ULC 057 - No  
ULC 058 - No  
ULC 059 - No  
ULC 060 - No  
ULC 061 - No  
ULC 062 - No  
ULC 063 - No  
ULC 064 - No  
ULC 065 - No  
ULC 066 - No  
ULC 067 - No  
ULC 068 - No  
ULC 069 - No  
ULC 070 - No  
ULC 071 - No  
ULC 072 - No  
ULC 073 - No  
ULC 074 - No  
ULC 075 - No  
ULC 076 - No  
ULC 077 - No  
ULC 078 - No  
ULC 079 - No  
ULC 080 - No  
ULC 081 - No  
ULC 082 - No  
ULC 083 - No  
ULC 084 - No  
ULC 085 - No  
ULC 086 - No  
ULC 087 - No  
ULC 088 - No  
ULC 089 - No  
ULC 090 - No  
ULC 091 - No  
ULC 092 - No  
ULC 093 - No  
ULC 094 - No  
ULC 095 - No  
ULC 096 - No  
ULC 097 - No  
ULC 098 - No  
ULC 099 - No  
ULC 100 - No

BAS-1000  
DPI 10 JULY 2025  
Original Issue Date 2024

INTERNATIONAL LOWVOC POLYMER INITIATIVE™ | [www.lowvocpolymer.com](http://www.lowvocpolymer.com)

# R-LINE® POWER SUPPLY



## CERTIFICATIONS & COMPLIANCE



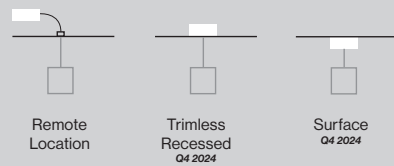
## FEATURES

**5 YEAR**  
limited  
led warranty

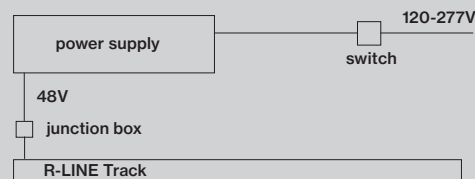
## PERFORMANCE

- Proprietary 48V driver with 1% dimming technology
- UL rated enclosure
- Short circuit protection
- Various mounting options (*coming soon*)

## MOUNTING



## REMOTE DRIVER



## Catalog Number Example

RLPS-REM-TR-1C-UNV-48V-100W-010V

A B D E F G H I

### A SYSTEM

R-LINE R L P S

### B MOUNTING

Remote Box REM  
Mud-in Box coming soon RTL  
Surface Mtd. Box coming soon SUR

### C HOUSING COLOR

Raw  
Black surface mount only B L  
White surface mount only WH

remote box & mud-in only available in raw

### D TYPE

Track T R  
Integrated Uplight (100W) U P

track & uplight cannot be powered combined

### E CIRCUIT

1 Circuit 1 C  
2 Circuit 2 C

each track circuit needs its own driver

### F INPUT VOLTAGE

120 - 277V UNV

### G OUTPUT VOLTAGE

48V low constant voltage 48 V  
3 pole connection 48V+ / 48V- / PVM

### H CAPACITY

60W 0 6 0 W  
100W 1 0 0 W  
2x60W 1 2 0 W  
2x100W 2 0 0 W

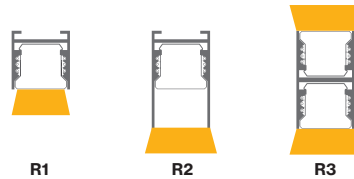
### I DIMMING

No Dimming N O D  
0-10V logarithmic, 1% dimming 0 1 0 V  
0-10V logarithmic, dim-to-off - coming soon D 1 0 V  
for 0-10V linear dimming curve contact BASO

### J CCEA coming soon

CCEA Rated (Chicago Plenum) C P  
remote box & mud-in only

Track T R



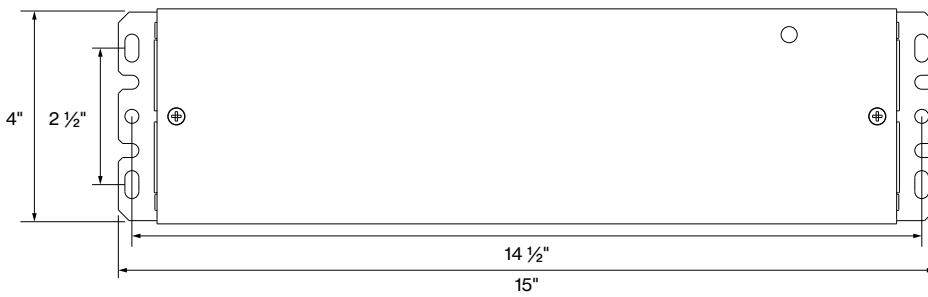
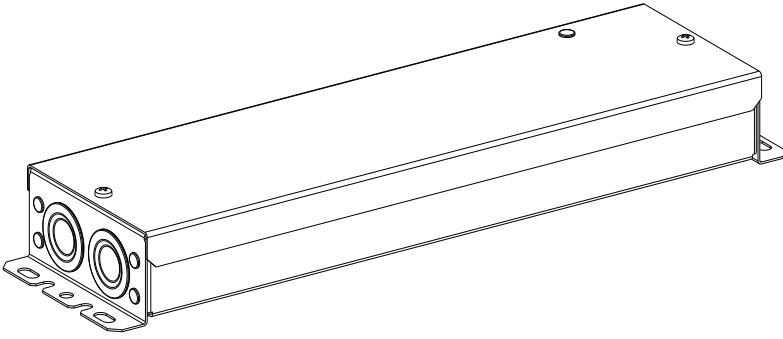
Integrated Uplight (100W) U P

Track & Uplight cannot be powered combined  
R3 upper track "TR" Power Supply required



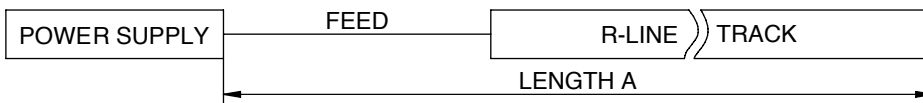
**BASO**  
basolighting.com

## DIMENSIONS



## WIRING DIAGRAM

LENGTH A (see diagram below)					
	12 AWG	14 AWG	16 AWG	18 AWG	20 AWG
<b>60W</b>	150'	150'	90'	60'	40'
<b>100W</b>	90'	90'	60'	40'	20'



\* Due to voltage drop and to fulfill EMC requirements, total fixture power [W] must be between 60% & 95% of the drivers capacity.

Calculations based at max capacity of the driver.

\*\*Please check distance limits (voltage drop table)

- Max possible fixture power < 100W.